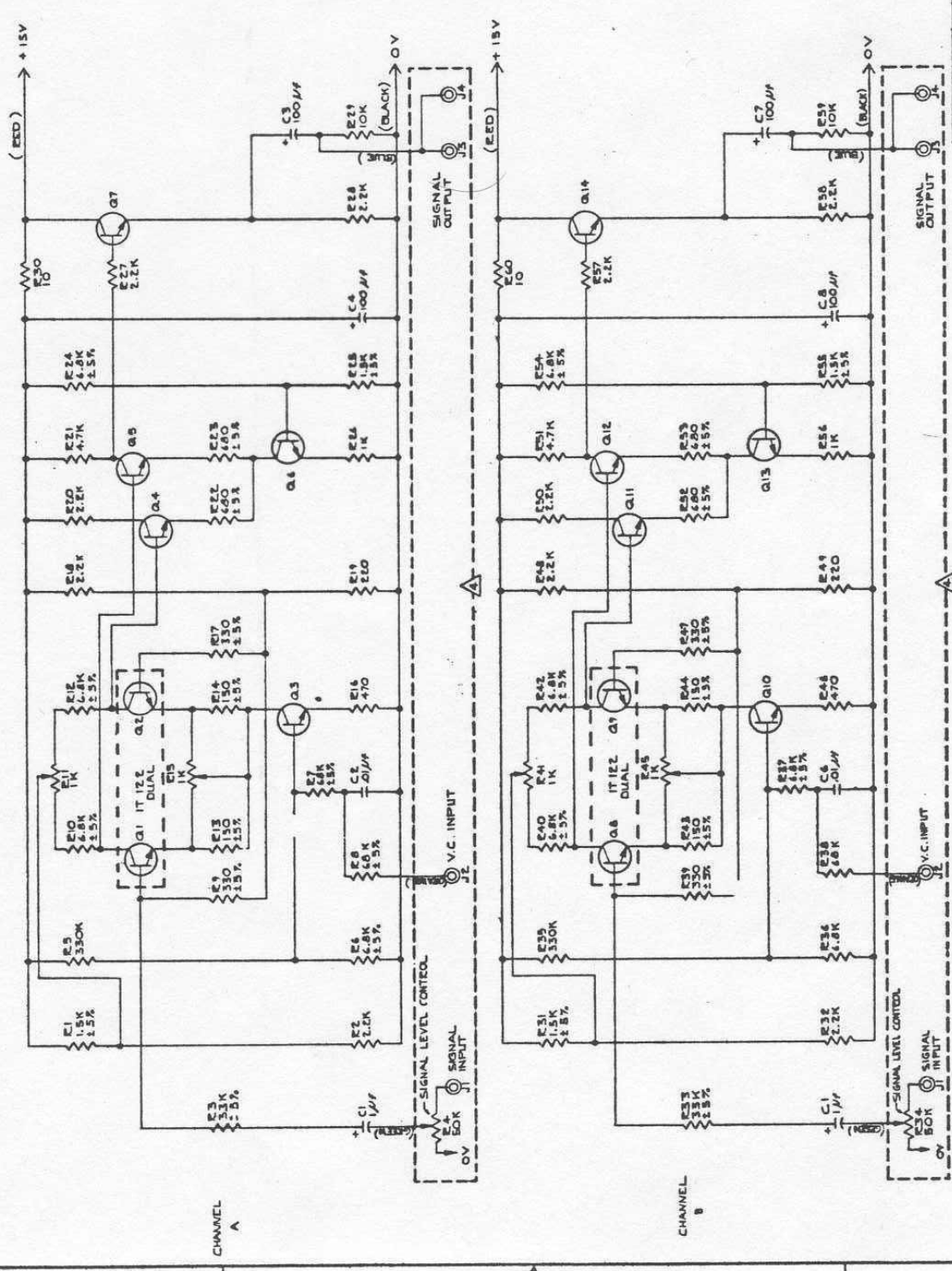


NO.	DESCRIPTION	APPROVED BY	DATE
1	REVISIONS		



DWG. TITLE		DWG. NO.	
CBS		14-0293	
MUTUAL INSTRUMENTS RULINGTON, CALIFORNIA		REV. 1 OF 1	
DWG. TITLE	DWG. NO.	REL. NO.	SCALE
SCHMATIC	14-0293	D	7
DUAL VOLTAGE CONTROLLED GATE			
NO. 110			
DESIGNED BY	DATE	APPROVED BY	DATE
MATERIAL			
FINISH			
COLOR			
UNLESS OTHERWISE SPECIFIED	TOLERANCES		
FRACTIONS	1/16	1/32	1/64
DECIMALS	0.001	0.002	0.005
ANGLES	15'	30'	45'
DIAMETERS	0.0005	0.001	0.002
RAIUS	0.0005	0.001	0.002
THREADS	UNLESS OTHERWISE SPECIFIED		
ALL DIMENSIONS ARE IN INCHES	DO NOT SCALE DRAWING		
USE ON	NEXT ASSY	USED ON	

1 LAST REF. DES. USED ARE Q14, R40, C8
 2 COMPONENTS MOUNTED ON FRONT PANEL
 3 ALL TRANSISTORS ARE 2N3565
 4 ALL RESISTORS ARE IN OHMS ± 10%, 1/4 WATT
 5 SAMPLE ON FIRST ARTICLE PRINTS MUST BE APPROVED BY CBS ENGINEERING BEFORE STARTING PRODUCTION.
 6 NOTES: UNLESS OTHERWISE SPECIFIED