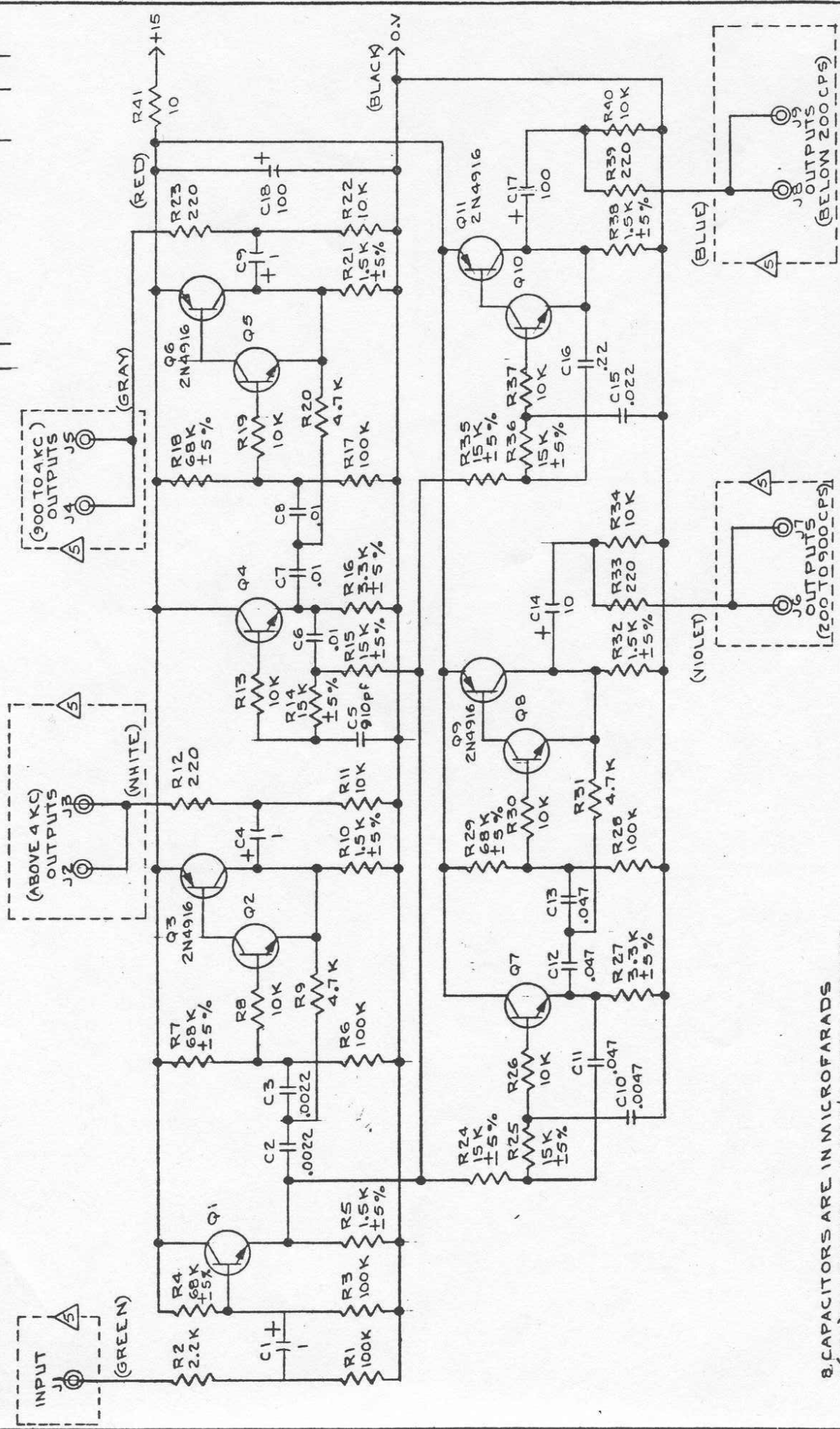


REVISIONS	
SYN	DESCRIPTION

SYN	DESCRIPTION	DATE	APPROVED



CBS MUSICAL INSTRUMENTS FULLERTON, CALIFORNIA		DWG. TITLE BANDPASS FILTER # 194
DATE 11/3/70	DATE 11/4/70	DATE 1/1
CHK G. S. ...	APPD M.E. ...	APPD E.E. ...
MATERIAL UNLESS OTHERWISE SPECIFIED		
TOLERANCES FRACTIONS ± 1/32 ± .015 ± .010 ± .005 ANGLES ± 1/16 FRACTIONAL WOOD ± .005 HOLES - CORED - .003 HOLES - DRILLED & PIERCED - .003		
STRAIGHTENING UNMARKED ANGLES ARE 90° ALL DIMENSIONS ARE IN INCHES DO NOT SCALE DRAWING		
NEXT ASSY NO.	USED ON	FINISH COLOR
REL. NO.	SIZE	DWG. NO.
SCALE	MODEL	SHEET
REV	C	140237
1	1	1 OF 1

8. CAPACITORS ARE IN MICROFARADS
 7. (REF) P.C BOARD IS CBS P/N 135814 ASSY NO. 135081
 6. LAST REFERENCE DESIGNATIONS USED ARE C19, J9, Q11 & R41 (R41 & C18 OUT OF SEQUENCE)
 5. COMPONENTS MOUNTED ON FRONT PANEL
 4. ALL COMPONENTS MOUNTED ON P.C BOARD EXCEPT AS NOTED
 3. TRANSISTORS ARE 2N3565
 2. RESISTORS IN OHMS ± 10%, 1/4 W
 1. SAMPLES ON FIRST ARTICLE PARTS MUST BE APPROVED BY CBS ENGINEERING BEFORE STARTING PRODUCTION.
- NOTES: UNLESS OTHERWISE SPECIFIED