

General Notes:

- The PCB contains two identical circuits separated by a vertical white line. Each value in the "Reference" column appears twice (2x) on the PCB. The "Total" column reflects this.

Resistors (1/4 watt, +/- 5%)

Value	Reference	Total	Description	Mouser # (or option)
2R2	R53	2	1/2 watt	660-CF1/2CT52R2R2J
47R	R13	2		660-MF1/4LCT52R470J
150R	R2	2		660-MF1/4LCT52R151J
220R	R52	2		660-MF1/4LCT52R221J
470R	R15, R37	4		660-MF1/4LCT52R471J
1K	R44, R49	4		660-MF1/4LCT52R102J
1K5	R3, R8, R18, R23, R28, R29, R42, R43	16		660-MF1/4LCT52R152J
2K2	R14, R19, R22, R36, R50	10		660-MF1/4LCT52R222J
3K3	R1, R7, R9, R16, R35, R47, R48	14		660-MF1/4LCT52R332J
4K7	R27, R38, R39, R45, R46	10		660-MF1/4LCT52R472J
6K8	R24, R25, R30*, R31*, R32, RX	12	* +/- 1%	660-MF1/4LCT52R682J 660-MF1/4DCT52R6801F
10K	R20, R21, R26, R51	8		660-MF1/4LCT52R103J
15K	R33	2		71-CCF0715K0JKE36
33K	R6	2		71-CCF0733K0JKE36
150K	R10	2		594-SFR16S0001503JA5
330K	R40, R41	4		71-CCF07330KJKE36
2M2	R11, R12	4		660-MF1/4LCT52R225J
1K	R4, R5, R17	6	3296 trimmer	652-3296W-1-102LF
A50K	R54, R56	4	potentiometer	https://www.taydaelectronics.com/ddup-50k-ohm-logarithmic-taper-potentiometer-round-shaft-pc-mount.html
B10K	R55	2	potentiometer	https://www.taydaelectronics.com/b10k-ohm-linear-taper-potentiometer-round-shaft-pc-mount-l.html

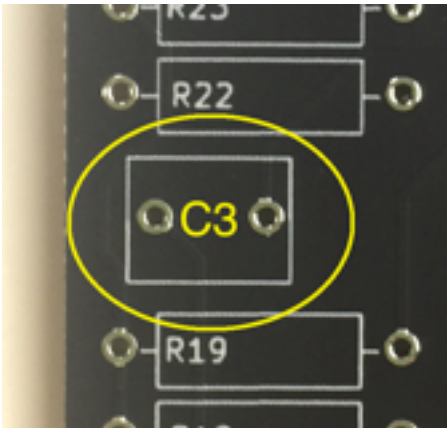
Capacitors

-C1 is marked as 1uf on the pcb. It is the only 1uf capacitor.

-C3 does not have a reference on the pcb. It is located between R19 and R22 on the outer edge of the pcb.

- C8 may be removed to improve sine shape.

Value	Reference	Total	Description	Mouser # (or option)
22pf	C6	2	2.5mm LS	810-FG18C0G1H220JNT0
47pf	C3	2	5mm LS	75-1C20C0G470J050B
910pf	C8*, C10	4 (2*)	5mm LS film 1nf will also work	594-2222-375-10911
4.7nf	C2	2	film, 5mm LS	80-R82MC1470AA50K
47nf	C11	2	5mm LS <i>use 1.5nf to reduce saw wave distortion.</i>	594-K473K10X7RF5UH5
1uf	C1	2	tantalum, 5mm LS	581-TAP105K025CRS
15uf	C9	2	tantalum, 2.5mm LS	581-TAP156K016SCS
47uf	C12	2	tantalum, 5mm LS	581-TAP476K025CCS
56uf	C4, C5	4	tantalum, axial	80-T110B566K006



-image shows location of C3 on the pcb.

Diodes

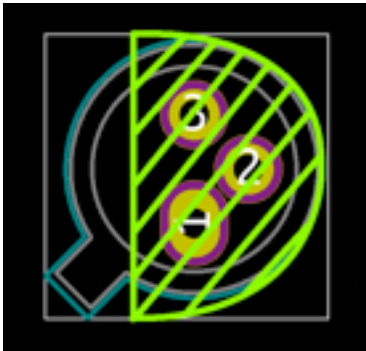
Value	Reference	Total	Description	Mouser # (or option)
1N457	D1, D2, D3	6	<i>1n4148 also work</i>	512-1N457

Transistors

References in parentheses [()] are matched pairs.

It is a good idea to socket Q7.

Value	Reference	Total	Description	Mouser # (or option)
2N3904	(Q1, Q2), Q4, Q8, (Q9, Q10), Q11, Q16, Q17, Q18, QX	22		610-2N3904
2N3906	Q3, (Q5, Q6), (Q12, Q13), Q14	12		610-2N3906
2N5020	Q7	2	<i>J175, J177 may work**</i>	106-2N5020 (or Little Diode)
J201	Q15	2		106-J201



**** J175/J177 transistors must be installed as shown in the image.**

Miscellaneous

	Total	Description	Mouser # (or option)
Banana jacks (black)	2	Ext. CV inputs	530-108-0903-1
Switchcraft Tini Jax	6	Audio inputs, Audio outputs	502-41
DPDT ON-NONE-ON	1	Ext. / Int. CV	633-M202203
Standoffs	4	14mm, M3	855-R30-3011402
Small Davies knobs	4		5164-1610AA (or Thonk)
Large Davies knobs	2		5164-1600BM (or Thonk)
EDAC power connector	1	<i>optional</i>	587-306-50-010

Mouser Cart

*NB: potentiometers, screws, EDAC power connector are not included in the Mouser Cart.

*Some items may be backordered.

<https://www.mouser.com/ProjectManager/ProjectDetail.aspx?AccessID=4da886bf49>

