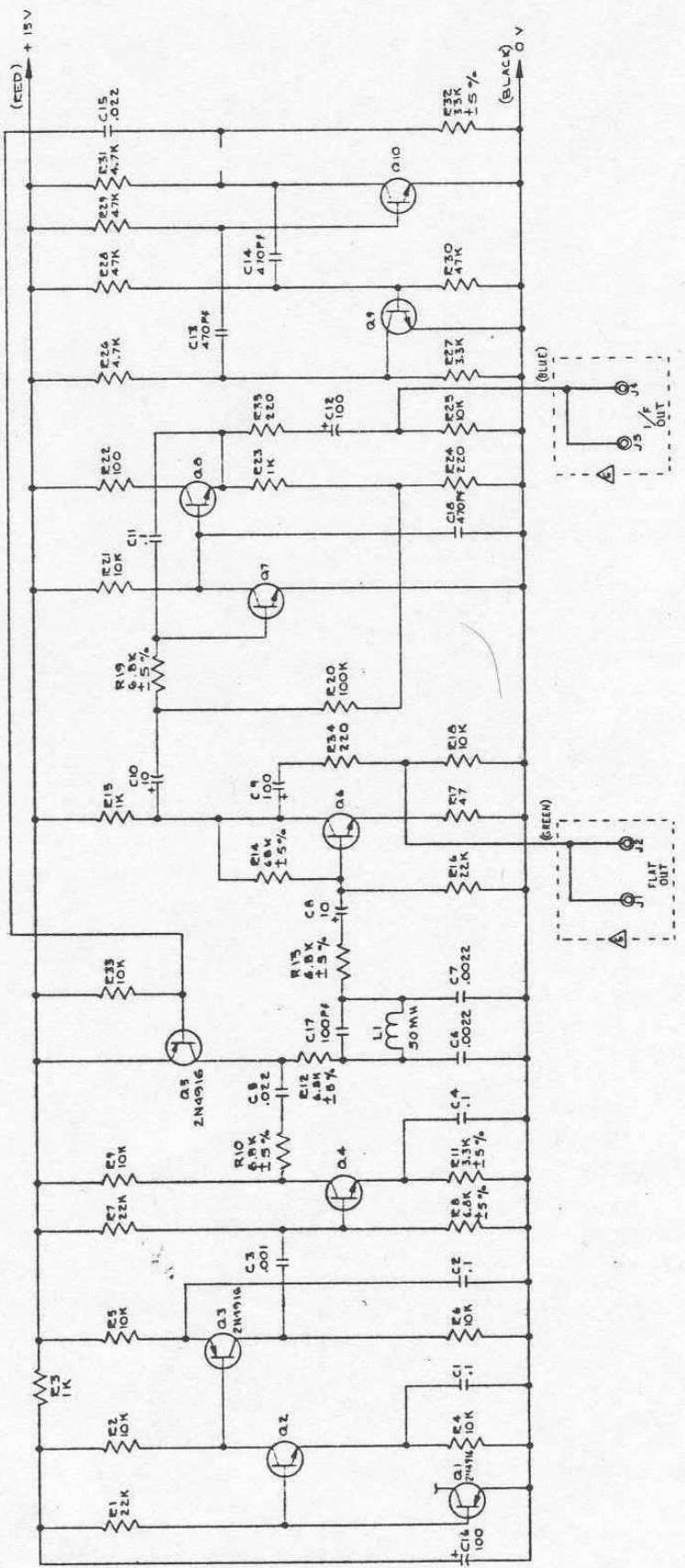


REV.	DESCRIPTION	APPROVED BY	DATE



DWG. TITLE <b>CBS</b>		DWG. NO. 140038	REV. NO. D
DESIGNED BY W. J. ...		DATE 1/15/57	SCALE 1:1
CHECKED BY ...		DATE 1/15/57	MATERIAL
APPROVED BY ...		DATE 1/15/57	REVISIONS
UNLESS OTHERWISE SPECIFIED TOLERANCES:		FRACTIONS: ± 1% (R), ± 5% (C)	
RESISTORS: ± 1% (R), ± 5% (C)		CAPACITORS: ± 1% (C), ± 5% (R)	
INDUCTORS: ± 1% (L), ± 5% (R)		TRANSISTORS: ± 1% (T), ± 5% (R)	
DIMENSIONS: ± 0.005 (D), ± 0.010 (R)		FINISH: ...	
DO NOT SCALE DRAWING		NEXT ASSY NO.	
USED ON		3	

COMPONENTS MOUNTED ON FRONT PANEL ALL OTHERS ARE MOUNTED ON P.C BOARD  
 LAST REFERENCE DESIGNATION USED C18, L1, Q10, R35  
 (C18, L1, R35, R36, R37, R38, OUT OF SEQUENCE)  
 ALL RESISTORS ARE IN OHMS 10K, 100K, 1M  
 ALL CAPACITORS ARE IN MICROFARADS  
 ALL TRANSISTORS ARE 2N3565  
 1. SAMPLER ON FIRST ARTICLE MUST BE APPROVED BY CBS ENGINEERING BEFORE STARTING PRODUCTION.  
 UNLESS OTHERWISE SPECIFIED