

REV	DESCRIPTION	REVISIONS	DATE	APPROVED
1				

STAGES 1 THRU 16
RESISTORS

1	2	3	4	5	6	7	8	9	10	11	12	13	14	15	16
R1	15	29	43	57	71	85	99	113	127	141	155	169	183	197	211
R2	16	30	44	58	72	86	100	114	128	142	156	170	184	198	212
R3	17	31	45	59	73	87	101	115	129	143	157	171	185	199	213
R4	18	32	46	60	74	88	102	116	130	144	158	172	186	200	214
R5	19	33	47	61	75	89	103	117	131	145	159	173	187	201	215
R6	20	34	48	62	76	90	104	118	132	146	160	174	188	202	216
R7	21	35	49	63	77	91	105	119	133	147	161	175	189	203	217
R8	22	36	50	64	78	92	106	120	134	148	162	176	190	204	218
R9	23	37	51	65	79	93	107	121	135	149	163	177	191	205	219
R10	24	38	52	66	80	94	108	122	136	150	164	178	192	206	220
R11	25	39	53	67	81	95	109	123	137	151	165	179	193	207	221
R12	26	40	54	68	82	96	110	124	138	152	166	180	194	208	222
R13	27	41	55	69	83	97	111	125	139	153	167	181	195	209	223
R14	28	42	56	70	84	98	112	126	140	154	168	182	196	210	224

TRANSISTORS

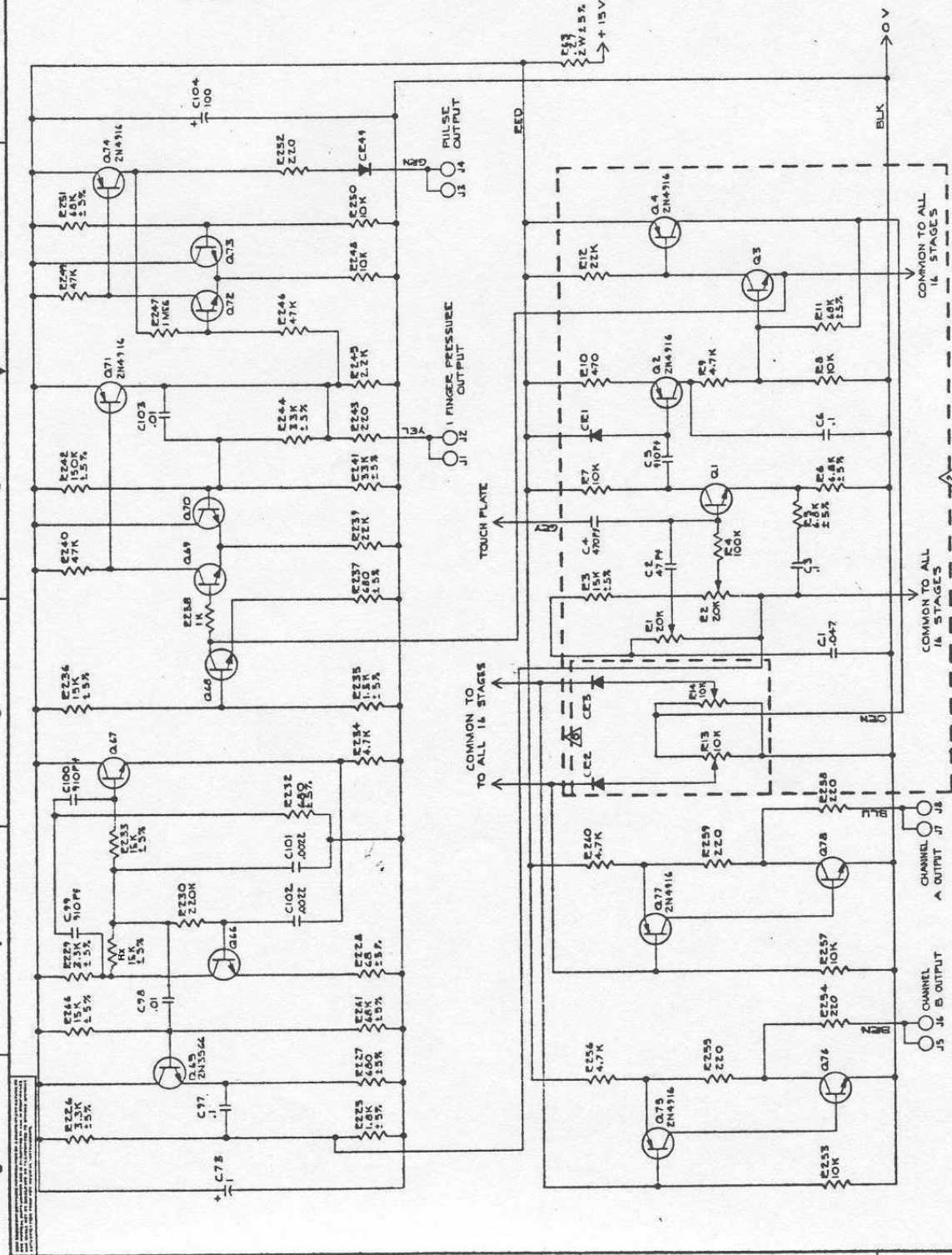
Q1	Q2	Q3	Q4	Q5	Q6	Q7	Q8	Q9	Q10	Q11	Q12	Q13	Q14	Q15	Q16
1	2	3	4	5	6	7	8	9	10	11	12	13	14	15	16

CAPACITORS

C1	C2	C3	C4	C5	C6	C7	C8	C9	C10	C11	C12	C13	C14	C15	C16
1	2	3	4	5	6	7	8	9	10	11	12	13	14	15	16

DIODES

CR1	CR2	CR3	CR4	CR5	CR6	CR7	CR8	CR9	CR10	CR11	CR12	CR13	CR14	CR15	CR16
1	2	3	4	5	6	7	8	9	10	11	12	13	14	15	16



CBS
MIRICAL INSTRUMENTS
REDFORD, CALIFORNIA

SCHEMATIC TOUCH CONTROLLED
VOLTAGE SOURCE
NO. 112

OWN: DAN VIGIL
APP'D: [Signature]
DATE: 11/17/74
MATERIAL: [Blank]

UNLESS OTHERWISE SPECIFIED TOLERANCES:
RESISTORS: ±1%
CAPACITORS: ±5%
DIODES: ±5%
TRANSISTORS: ±5%
DIMENSIONS: ±0.005"
FRACTIONAL WOOD: ±0.005"
HOLE - DRILLED & REAM: ±0.005"
STRAIGHTENING: ±0.005"

UNMARKED ANGLES ARE 90°
ALL DIMENSIONS ARE IN INCHES
DO NOT SCALE DRAWING

REV: D 140 319
SCALE: 1/8" = 1"

NOT ASS'Y UNLESS NOTED OTHERWISE
USED ON: [Blank]

REV: 1 OF 1

- COMPONENTS ARE MOUNTED ON FRONT PANEL
ALL JACKS ARE MOUNTED ON FRONT PANEL
ALL DIODES ARE MOUNTED IN MICROFEEDS
ALL CAPACITORS ARE IN MICROFEEDS
ALL RESISTORS ARE IN MICROFEEDS
ALL TRANSISTORS ARE IN MICROFEEDS
THIS STAGE TO BE REPEATED 15 TIMES
1. DIMENSIONS ON PRINT (IF ANY) MUST BE APPROVED BY CBS ENGINEERING BEFORE STARTING PRODUCTION.
NOTES: UNLESS OTHERWISE SPECIFIED