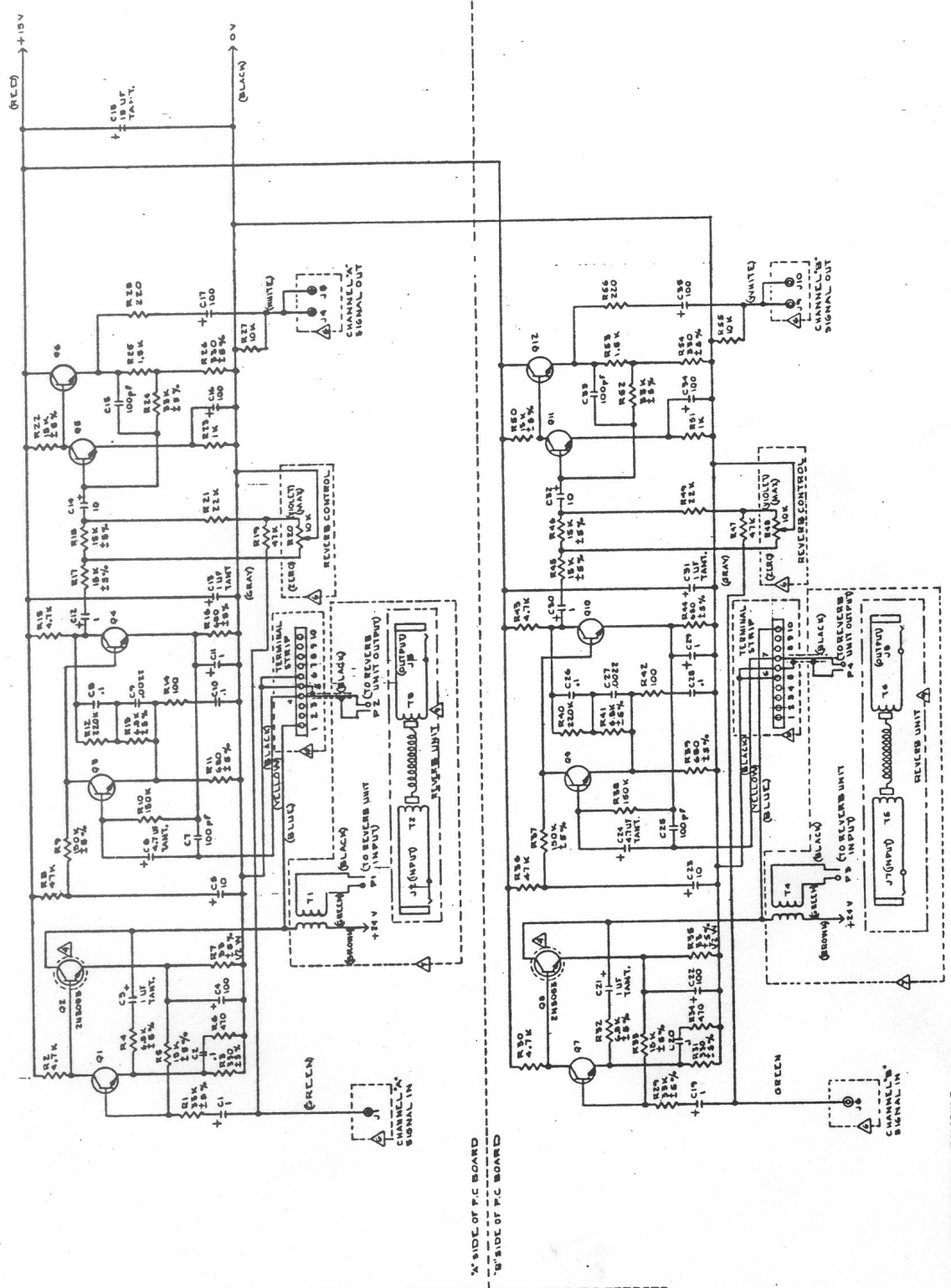


DATE		BY		CHECKED	
10/25/53	10/25/53	10/25/53	10/25/53	10/25/53	10/25/53
REVISIONS					
NO.	DESCRIPTION	DATE	BY	CHECKED	APPROVED
1	ASSEMBLY				
2	...				
3	...				
4	...				
5	...				
6	...				
7	...				
8	...				
9	...				
10	...				
11	...				
12	...				
13	...				
14	...				
15	...				
16	...				
17	...				
18	...				
19	...				
20	...				
21	...				
22	...				
23	...				
24	...				
25	...				
26	...				
27	...				
28	...				
29	...				
30	...				
31	...				
32	...				
33	...				
34	...				
35	...				
36	...				
37	...				
38	...				
39	...				
40	...				
41	...				
42	...				
43	...				
44	...				
45	...				
46	...				
47	...				
48	...				
49	...				
50	...				
51	...				
52	...				
53	...				
54	...				
55	...				
56	...				
57	...				
58	...				
59	...				
60	...				
61	...				
62	...				
63	...				
64	...				
65	...				
66	...				
67	...				
68	...				
69	...				
70	...				
71	...				
72	...				
73	...				
74	...				
75	...				
76	...				
77	...				
78	...				
79	...				
80	...				
81	...				
82	...				
83	...				
84	...				
85	...				
86	...				
87	...				
88	...				
89	...				
90	...				
91	...				
92	...				
93	...				
94	...				
95	...				
96	...				
97	...				
98	...				
99	...				
100	...				



NOTE 1: TERMINAL STRIP MOUNTED ON BACK OF MODULE.
 NOTE 2: EMBOSING UNIT CBS P/N 064006
 NOTE 3: LAST REFERENCE DESIGNATIONS USED ARE CBS JUDIZ, RES 8 T.
 NOTE 4: REVERB SPRINGS ASSY MOUNTED IN CHANNELS.
 NOTE 5: COMPONENTS MOUNTED ON FRONT PANEL.
 NOTE 6: ALL COMPONENTS MOUNTED ON P.C BOARD.
 NOTE 7: TRANSFORMER OIL IS TRANSFORMER OIL.
 NOTE 8: WITH WELDING CABLE TO MAKEFIELD M 807.
 NOTE 9: CBS P/N 128075.
 NOTE 10: TRANSFORMER (EXCEPT AS NOTED).
 NOTE 11: REVERB SPRINGS IN MICROFILM.
 NOTE 12: CAPACITORS ARE IN MICROFILM.
 NOTE 13: 1 RESISTORS IN OHMS $\pm 10\%, \frac{1}{4} W.$
 NOTE 14: UNLESS OTHERWISE SPECIFIED.

DATE: 10/25/53
 BY: [Signature]
 CHECKED: [Signature]

UNIT NO: 140251
 UNIT #190

REVERB UNIT
 CHANNEL IN
 SIGNAL IN